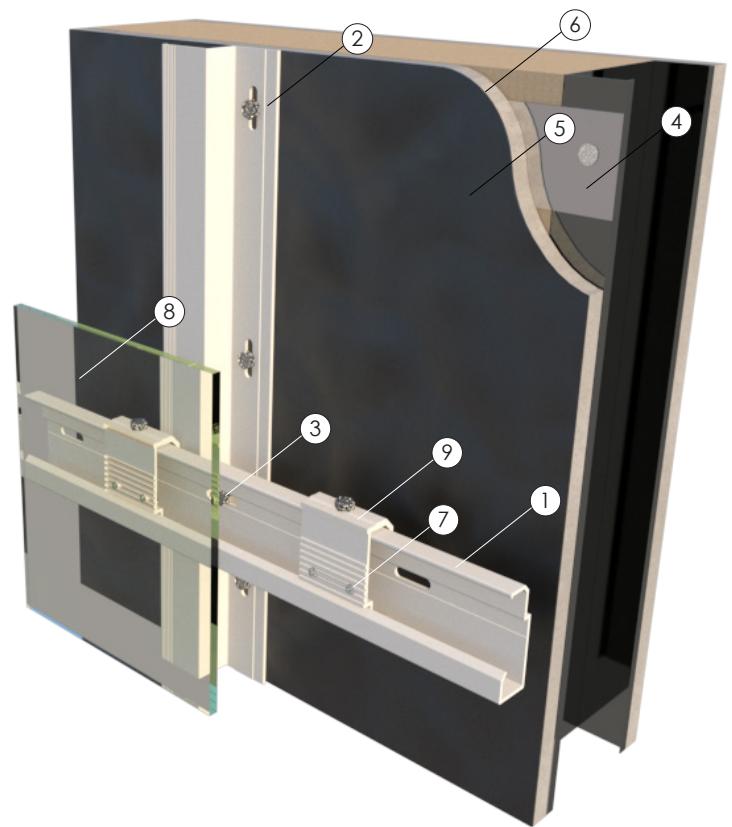


ALUMINIUM SUPPORT SYSTEM FOR
RAINSCREEN CLADDING
XKELEX X-CS25



LEGEND

- 1. X-RL25 rail
- 2. X-Z25 profile
- 3. Rail anchor
- 4. Steel Backing Plate
- 5. A/V Barrier
- 6. Exterior Wall
- 7. T U anchor
- 8. Exterior panel
- 9. X-CL25-L adjustable bracket



CONTENT

- CS25-00 Xkelex System detail sheet
- CS25-01 Profiles
- CS25-02 Building Elevation
- CS25-03 Horizontal Panel Joint
- CS25-04 Horizontal Mid Panel
- CS25-05 Window Jamb
- CS25-06 Door Jamb
- CS25-07 Inside Corner
- CS25-08 Outside Corner
- CS25-09 Window Head
- CS25-10 Vertical Panel Joint
- CS25-11 Window Sill
- CS25-12 Base Detail

NOTES:



SYSTEM:

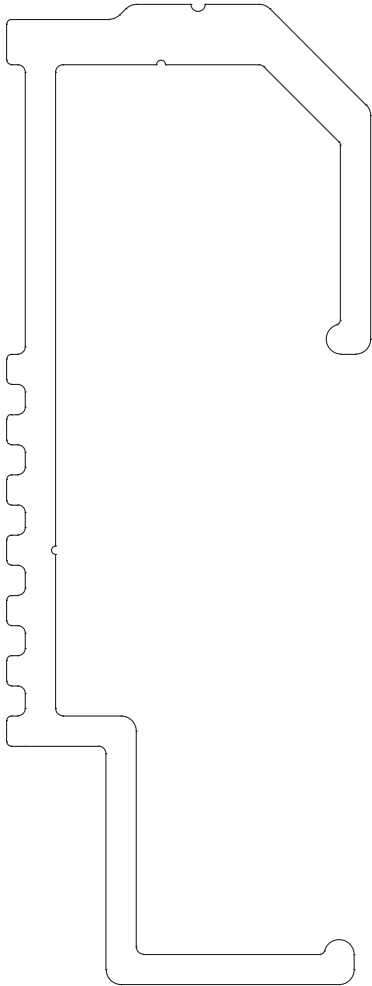
X-CS25

DETAIL:

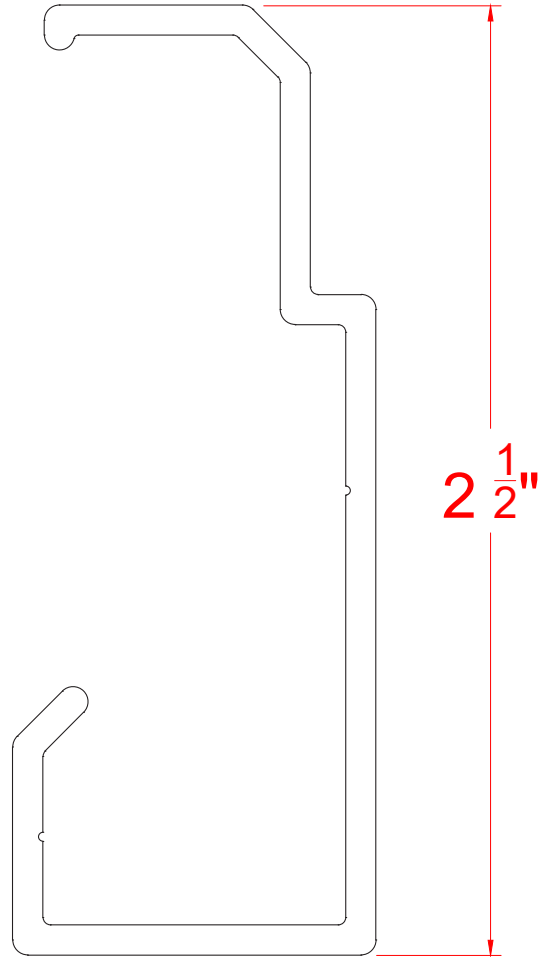
XKELEX SYSTEM

DETAIL SHEET:

CS25-00



X-CL25 BRACKET



X-RL25 RAIL

NOTES:



SYSTEM:

X-CS25

DETAIL:

PROFILES

DETAIL SHEET:

CS25-01



NOTES:



SYSTEM:

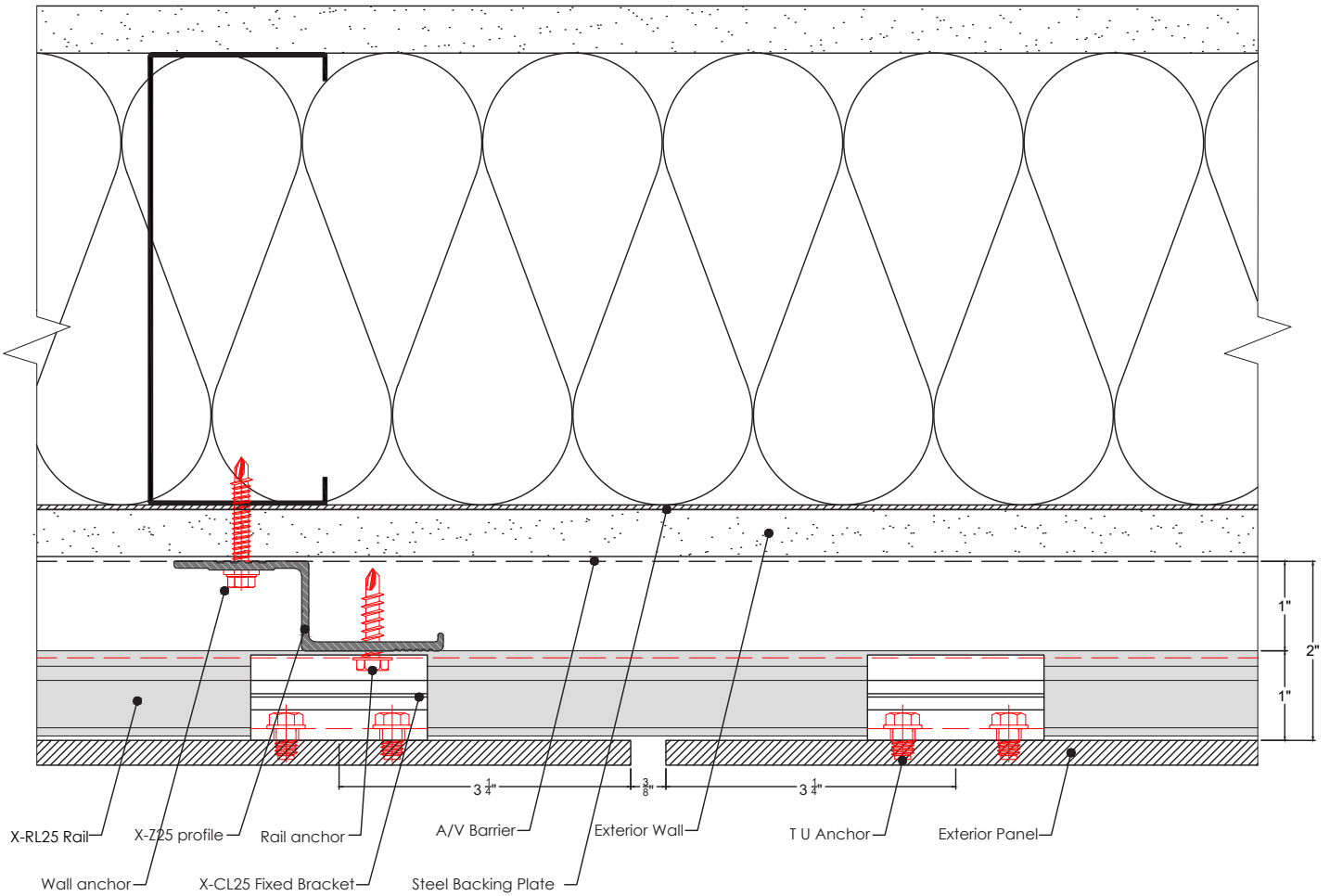
X-CS25

DETAIL:

BUILDING ELEVATION

DETAIL SHEET:

CS25-02



NOTES:



SYSTEM:

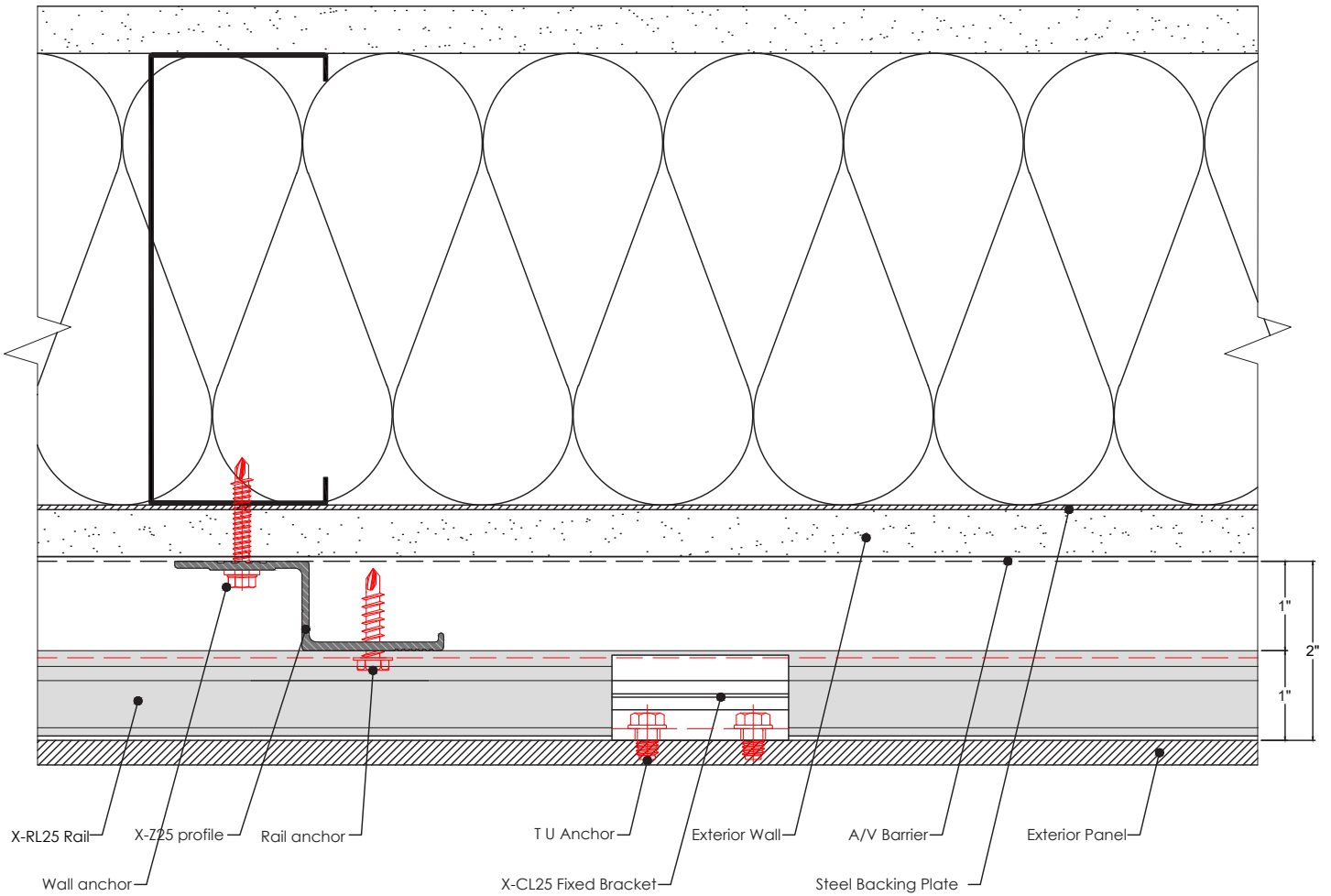
X-CS25

DETAIL:

PLAN VIEW VERTICAL PANEL JOINT

DETAIL SHEET:

CS25-03



NOTES:



SYSTEM:

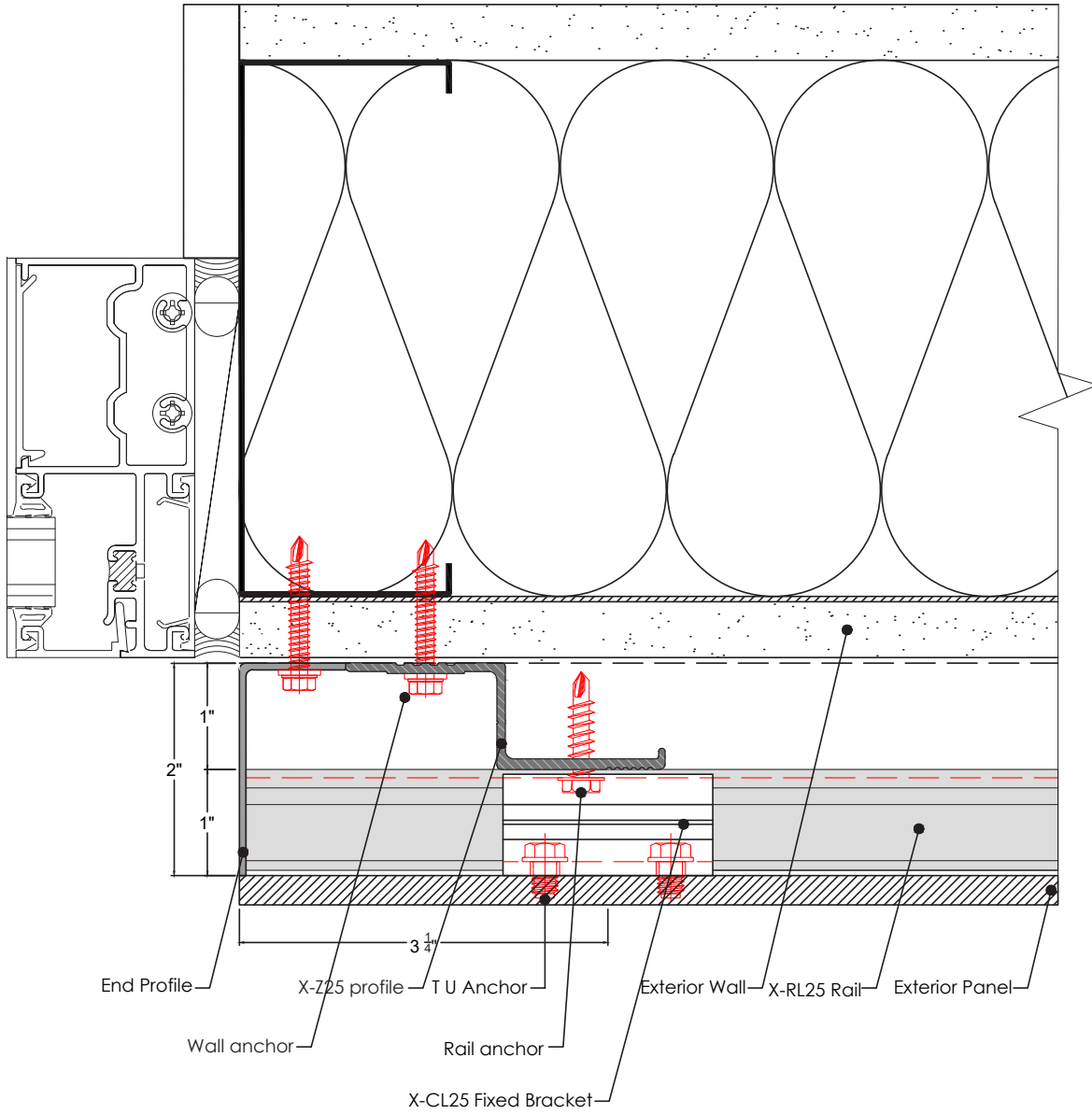
X-CS25

DETAIL:

PLAN VIEW MID PANEL

DETAIL SHEET:

CS25-04



NOTES:



SYSTEM:

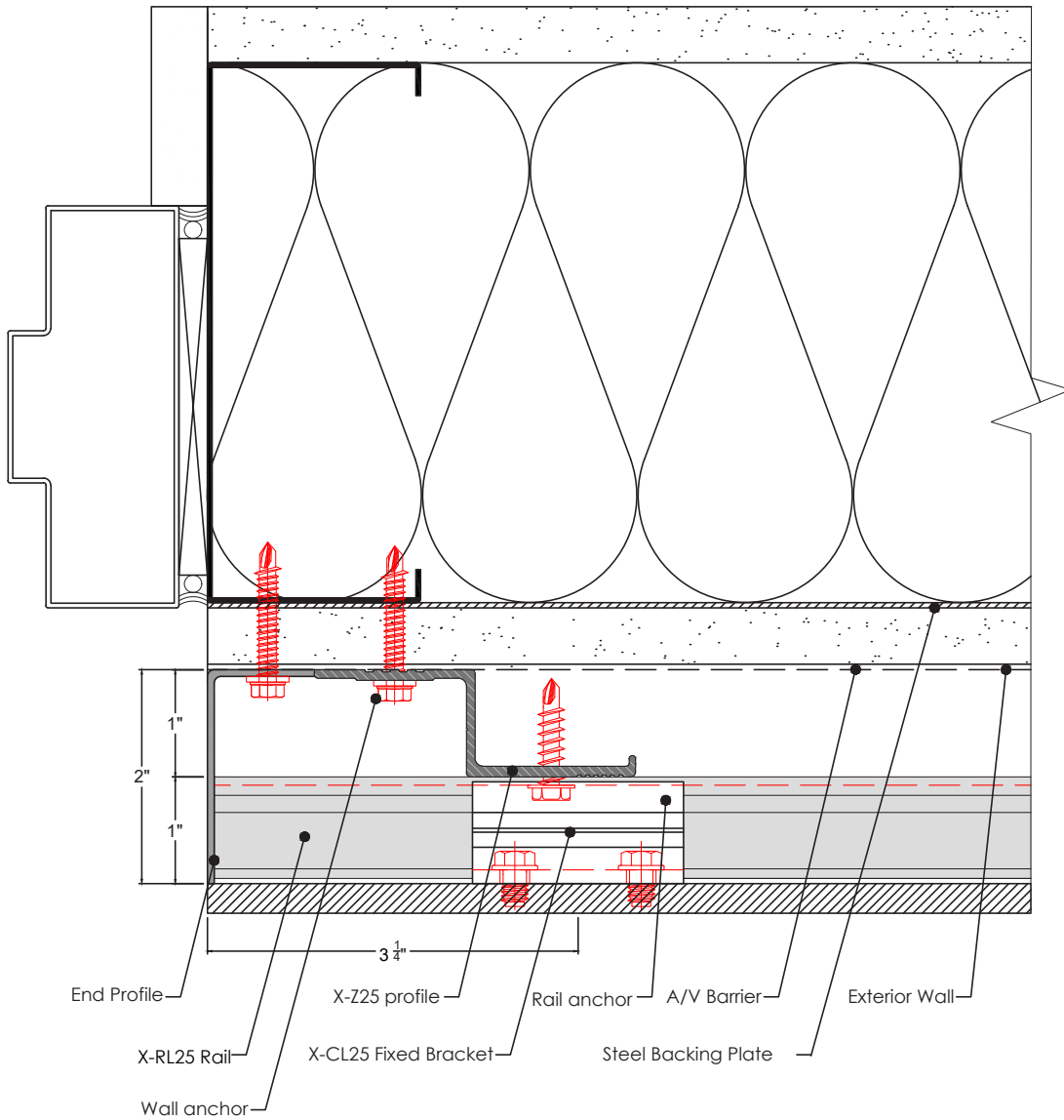
X-CS25

DETAIL:

PLAN VIEW WINDOW JAMB

DETAIL SHEET:

CS25-05



NOTES:



SYSTEM:

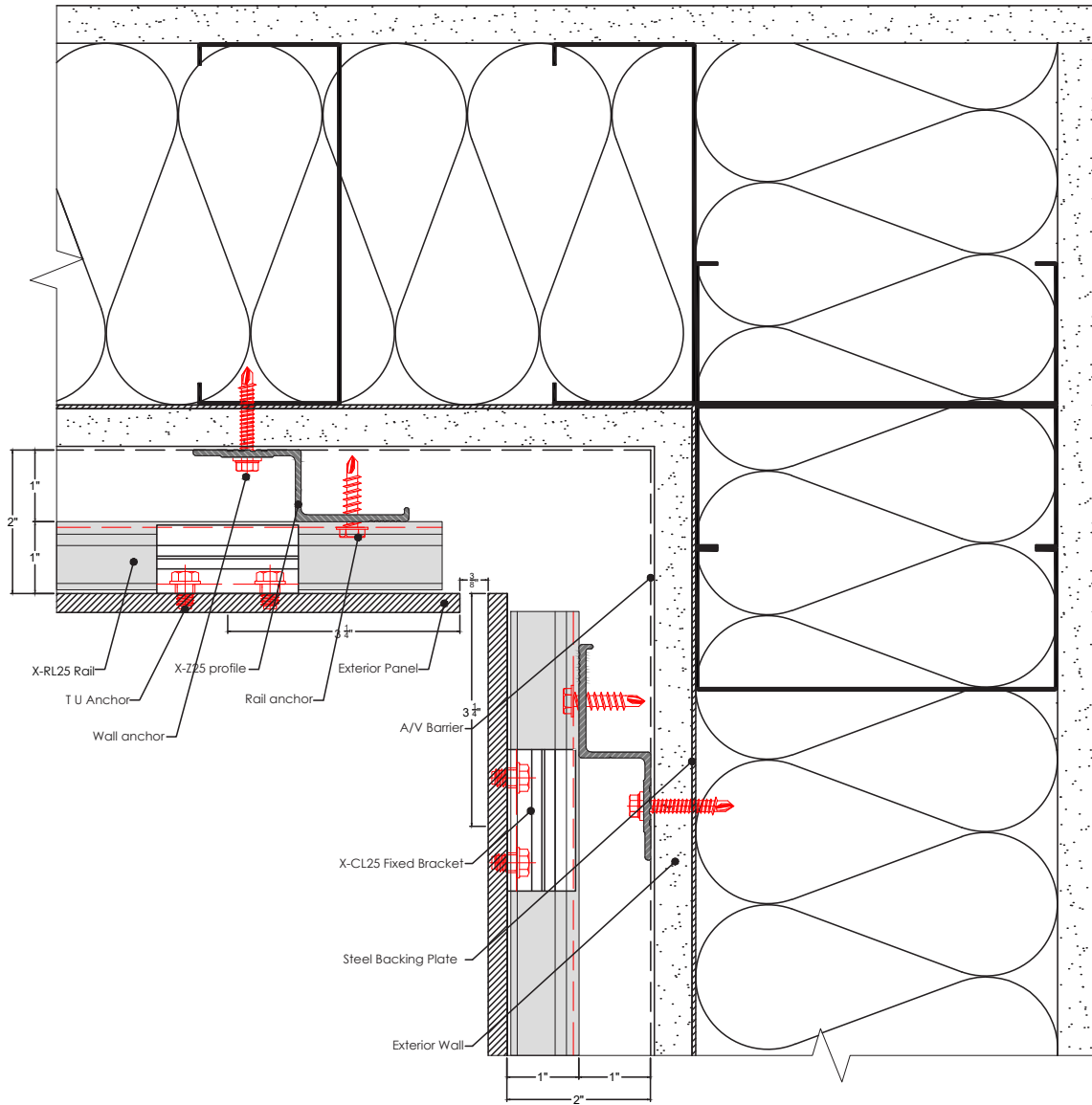
X-CS25

DETAIL:

PLAN VIEW DOOR JAMB

DETAIL SHEET:

CS25-06



NOTES:



SYSTEM:

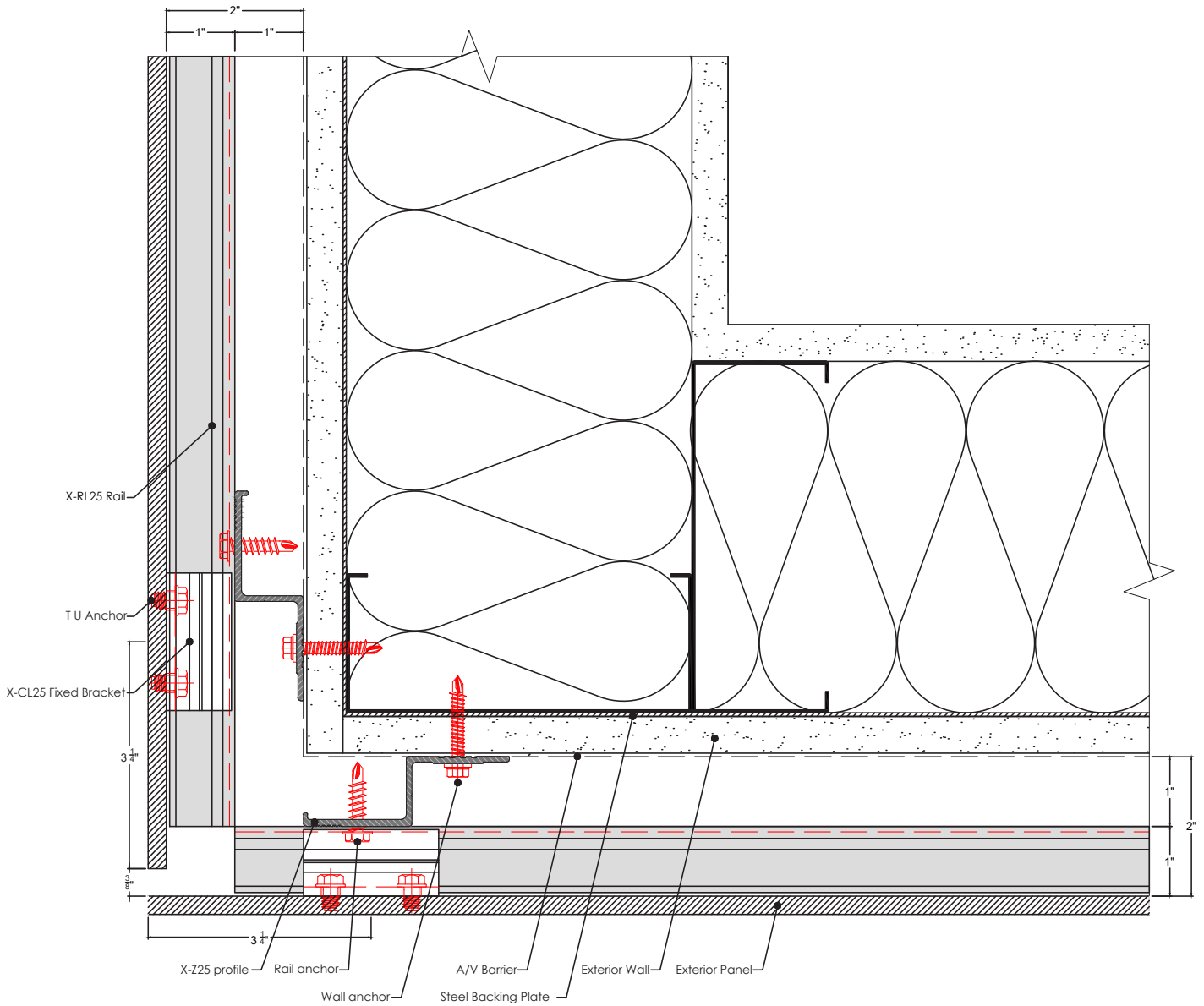
X-CS25

DETAIL:

PLAN VIEW INSIDE CORNER

DETAIL SHEET:

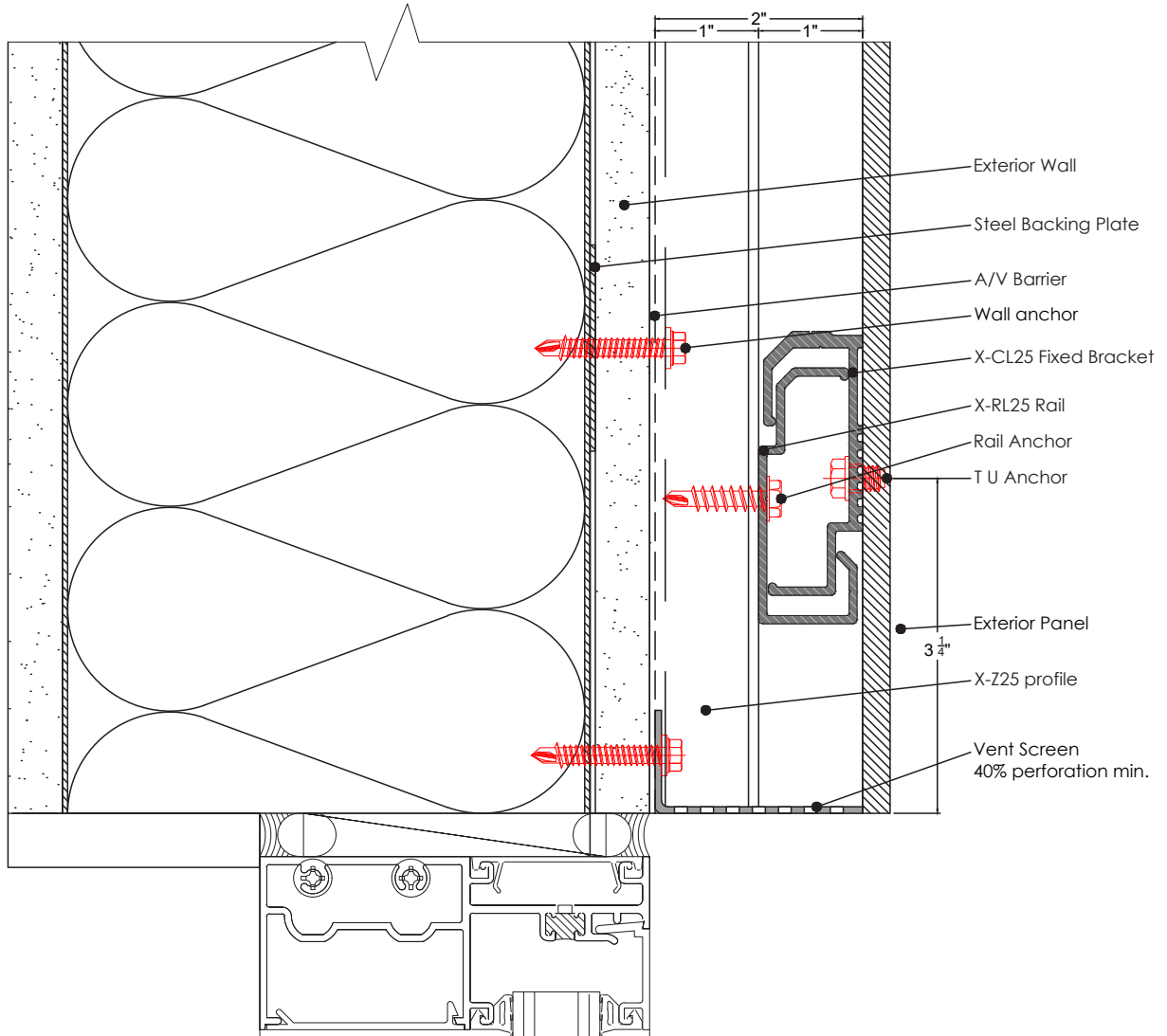
CS25-07



NOTES:



SYSTEM:	X-CS25
DETAIL:	PLAN VIEW OUTSIDE CORNER
DETAIL SHEET:	CS25-08



NOTES:



SYSTEM:

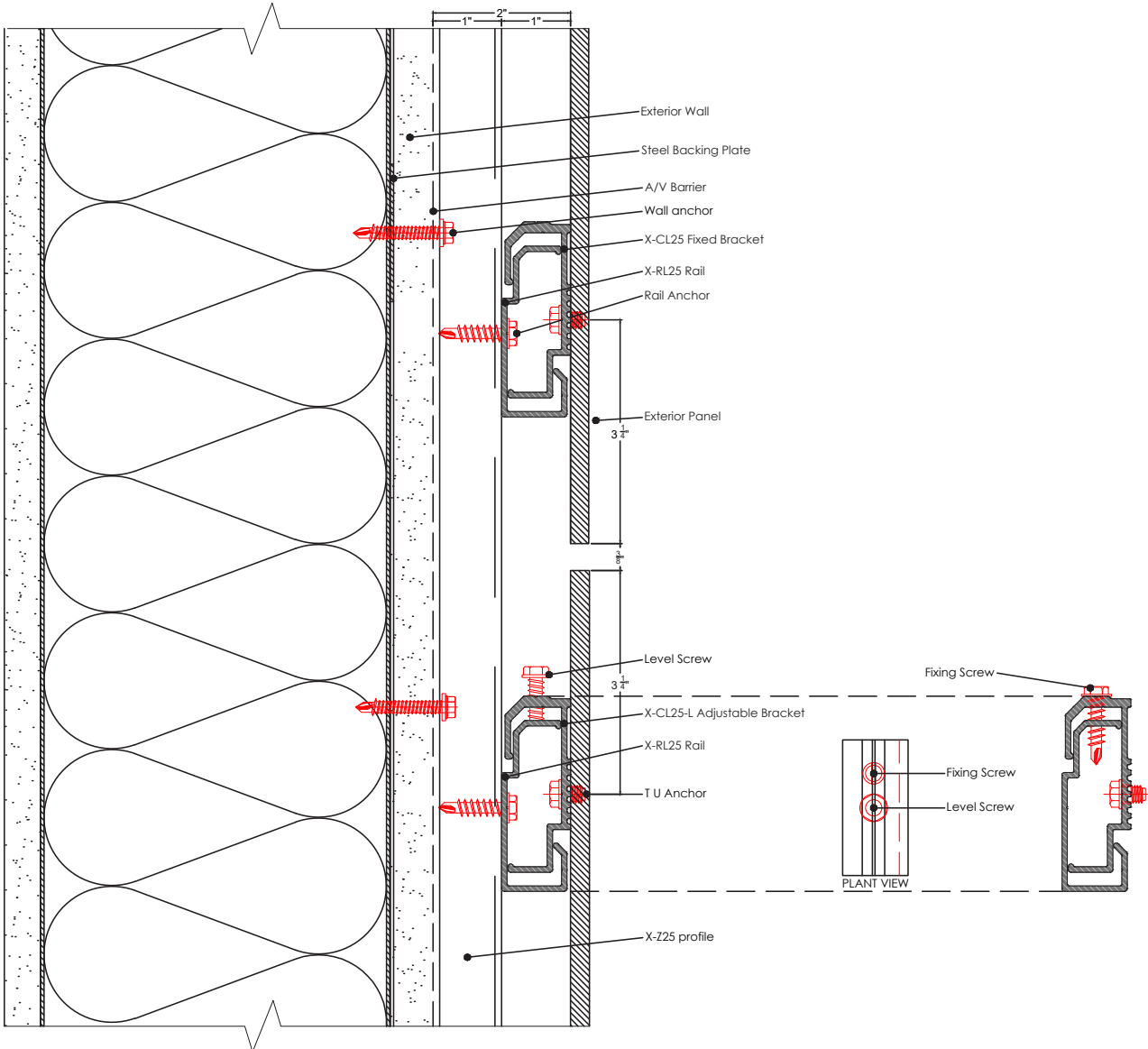
X-CS25

DETAIL:

SECTION WINDOW HEAD

DETAIL SHEET:

CS25-09



NOTES:



SYSTEM:

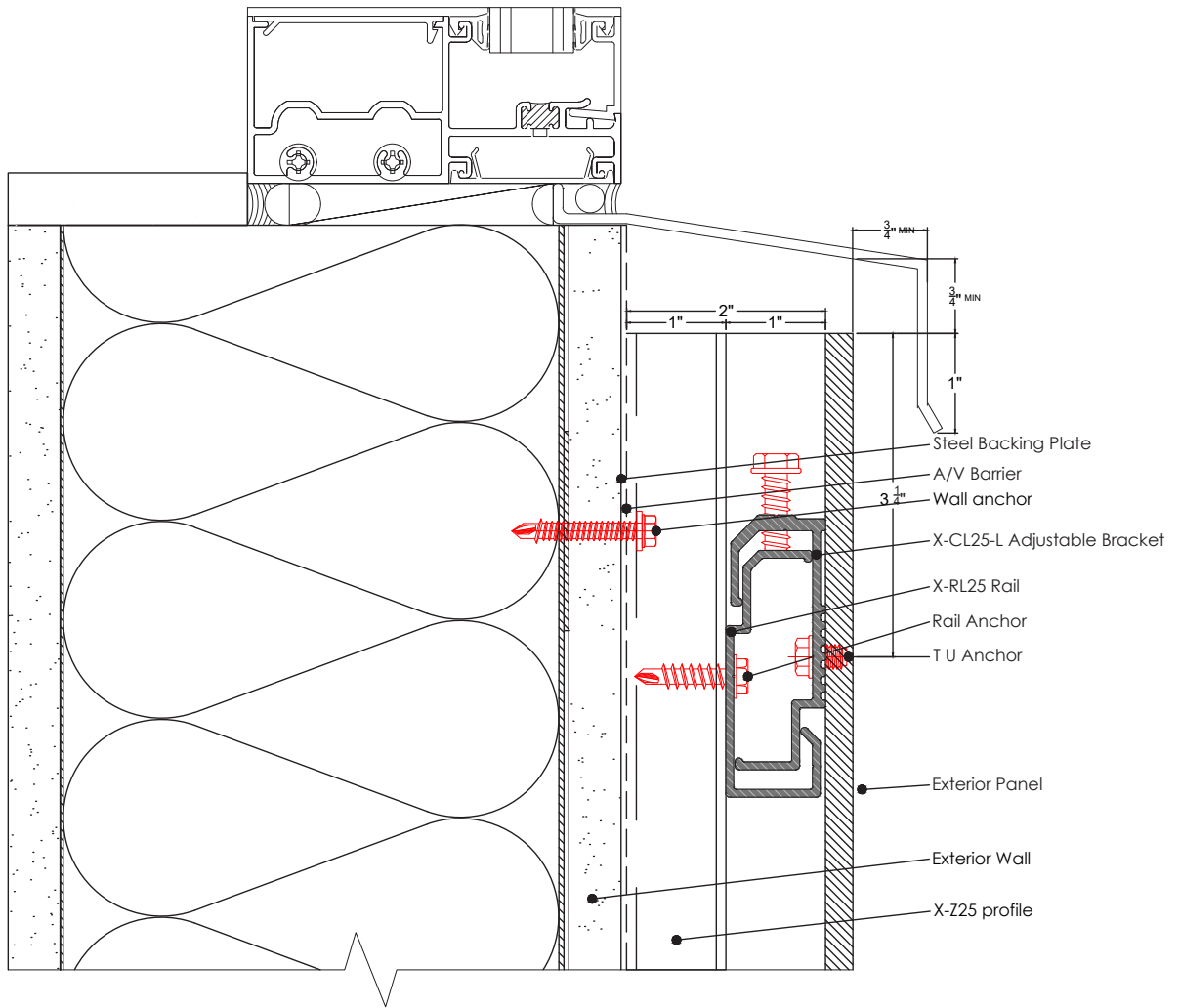
X-CS25

DETAIL:

SECTION HORIZONTAL PANEL JOINT

DETAIL SHEET:

CS25-10



NOTES:



SYSTEM:

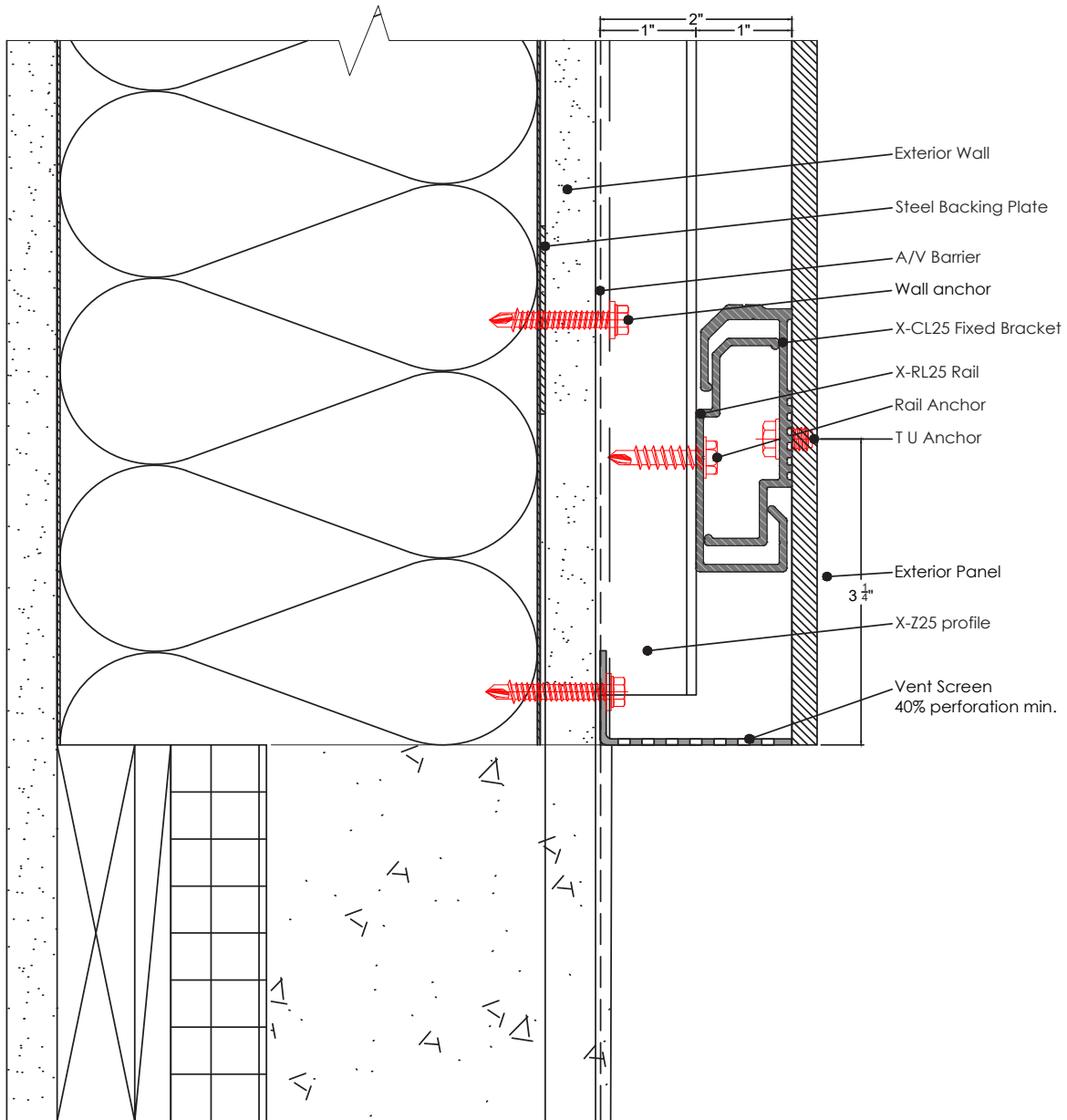
X-CS25

DETAIL:

SECTION WINDOW SILL

DETAIL SHEET:

CS25-11



NOTES:



SYSTEM:

X-CS25

DETAIL:

SECTION BASE DETAIL

DETAIL SHEET:

CS25-12